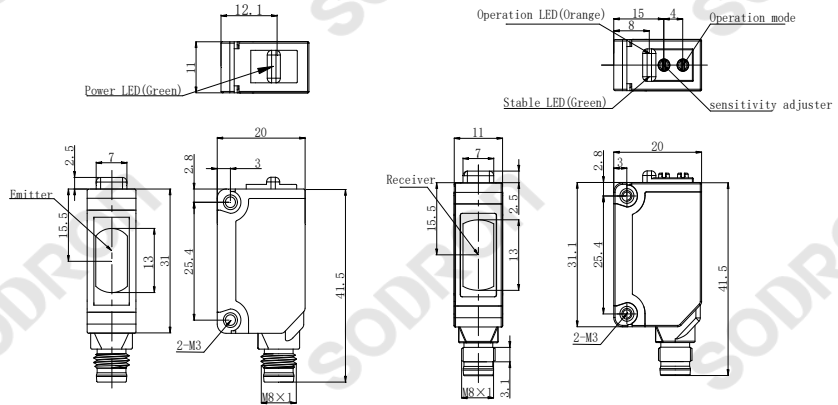
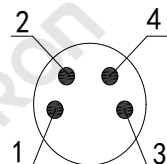




Dimensions



Model	Technical parameters
PF31V-T10BNSR(E)-E1 PF31V-T10BPSR(E)-E1	Detection method: Through beam
	Model: NPN: PF31V-T10BNSR(E)-E1 PNP: PF31V-T10BPSR(E)-E1
Product features	Sensing distance: 10cm (Adjustable)
	Standard target: > Φ15mm (Opaque object)
•Through beam, 660nm Red LED •ASIC, Fast response, High frequency •IEC IP67	Output mode: Light ON/Dark ON (Adjustable)
	Light source: 660nm Red LED
Connection	Supply power: DC 12 ~ 24V ±10% , impulse (P-P) < 10%
	Directivity angle: 3~15°
Transmitter	Residual voltage: < 2V (Load Current: ≤100mA)
	Current consumption: < 20mA
Receiver	Load current: ≤100mA
	Circuit protection: Power reverse indirection connection protection, short-circuit protection
NPN	Response time: < 1ms
	Indicator light: Output LED: Orange LED、Power/stable: Green LED
PNP	Connection: connector type (M8 4pin male)
	Ambient temperature: Work: -25 ~ +55°C; Store: -30 ~ +70°C (No dew condensation or icing allowed)
Terminal Number and Function Table	Ambient humidity: Work: 35 ~ 85%RH, Store: 35 ~ 95%RH, (No dew condensation)
	Ambient illumination: Sunlight :10,000Lx, lamplight:3,000Lx
Material	Withstand voltage: 1000 VAC, 50/60 Hz, 1 min.
	Insulation resistance: > 20MΩ (DC500V megger) between current-carrying parts and case
	Anti-vibration: 10~55Hz double-amplitude 1.5mmX,Y,Z 2h
	Impact resistance: 500m/s ² X,Y,Z , directions for 3 times
	Protection degree: IEC IP67
	Housing: PBT
	Lens: PMMA



Terminal No.	Technical parameters
1	+V
2	No connection
3	0V
4	output